

BEHA TEDDY
SMÅROMSOVN
HEATER FOR SMALL ROOMS
248 W - 230 V

INSTALLASJONS- OG BRUKERVEILEDNING
INSTALLATION AND USER GUIDE

BEHA



Contact information: Email: info@scandinaviantrading.co.uk Tel: 01932 645050
Unit 2 Glen Court, Canada Road, Byfleet, KT14 7JL

Please read the manual carefully before use of the heater and save it for later reference. This user guide is also available at beha.no.

1.0 Technical information

When the thermostat is operating (power on) a small red dot will show in the thermostat wheel.

Beha Teddy heater is IP21 approved.

By power outage the heater returns to last set temperature.

1.2 Open window detection

When opening a window and the temperature drops more than 5°C within 40 sec, the open window detection is activated. The heater changes between chosen temperature for 10 seconds, and 5 degrees for 30 seconds. The function is active for max. 15 minutes. The heater returns to the last set program / temperature.

2.0 Safety information

When using any electrical appliance, basic precautions should always be followed to reduce the risk of fire and injuries.

Please read the entire user manual before using heater.

1. Before use, remove all packaging.
2. Turn the switch to OFF. Remove the plug from the wall socket when the heater is not in use and when cleaning.

CAUTION! Parts of this product will become hot and may cause burns. Pay especially attention where children and vulnerable people are present.

Children aged from 3 years and less than 8 years shall only switch on/off the appliance provided that it has been placed or installed in its intended normal operating position and they have been given supervision or instruction concerning use of the appliance in a safe way and understand the hazards involved. Children aged from 3 years and less than 8 years shall not plug in, regulate, and clean the appliance or perform user maintenance.



Warning: In order to avoid overheating, do not cover the heater.

This appliance can be used by children aged from 8 years and above and persons with reduced physical, sensory, or mental capabilities or lack of experience and knowledge if they have been given supervision or instruction concerning use of the appliance in a safe

way and understand the hazards involved. Children shall not play with the appliance. Cleaning and user maintenance shall not be made by children without supervision.

Children of less than 3 years should be kept away unless continuously supervised.

Furthermore, do not use the heater in areas where gasoline, paint, or flammable liquids are used or stored.

The heater shall not be used in explosives areas.

Warning: Do not use this heater in small rooms when they are occupied by persons not capable of leaving the room on their own, unless constant supervision is provided.

The wall socket in which the heater is connected should be visible and accessible.

The heater must not be located immediately below a wall socket.

Do not operate any heater with a damaged cord or plug. The cable must not come into contact with hot surfaces of the heater during operation.

Do not cover the cord with carpets. Do not step on the cable.

Ensure that no foreign objects are placed in the heater's air outlets as it can cause electrical failure or fire.



When cleaning or relocating or when the heater is not in use, the heater should be switched off and the cord unplugged. In that order. Do not remove the plug from the socket by pulling the cord. Remove the cord from the socket by gripping the plug and gently pull it out of the wall socket.

Do not use this heater in the immediate surroundings of a bath, a shower, or a swimming pool.

Do not use this heater if it has been dropped or if there are visible signs of damage to the heater.

Do not touch the heater with wet hands.

Warning: The heater should be located away from furniture, curtains or other flammable objects.

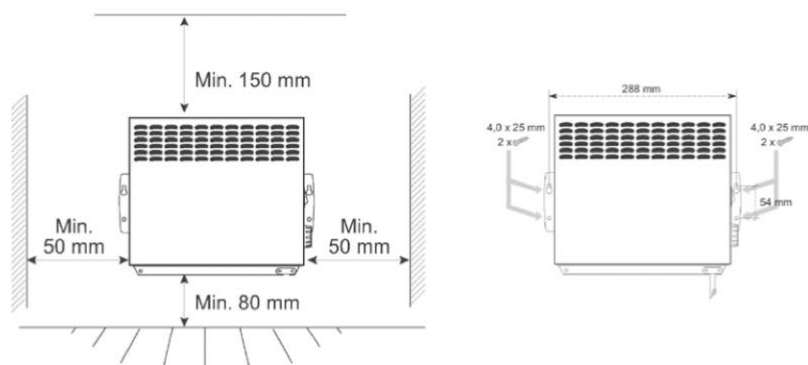
The heater must be in an upright position.

The heater should not be repaired, dismantled or modified by unauthorized personnel.

3.0 Electrical connection and use

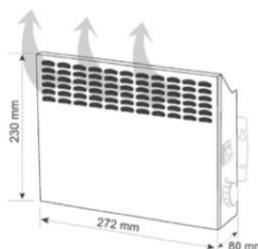
Before connecting, please ensure that the voltage is 230V ~ 50Hz. The heater should be connected to a socket in the room it is intended to be used. Do not connect the heater to sockets in adjacent rooms using an extension cable.

4.0 Installation



5.0 Heater sizes

Type	Watt	Bredde (mm)	Høyde (mm)	Dybde (mm)
Teddy	248	272	230	80



6.0 Using the heater

Turn on the switch. By rolling the thermostat knob, you change the temperature. After a power cut, the oven starts up again at the last set temperature.

7.0 Care and maintenance

1. Remove power connection and make sure the heater is cooled down before cleaning.
2. Clean the outside with a damp cloth.
3. Never use abrasive cleaners or submerge the heater in water or other liquids.



8.0 Energy efficiency

This product complies with the EU regulations of the Ecodesign Directive (2009/125/EC) for energy-related products.

Model identifier	P nom kW	P min kW	P max,c kW	Auxiliary electricity consumption	eloff kW	elms kW	elidle kW	elnsb kW
Teddy	0,248	0,248	0,248	Teddy	0	N/A	0,001	N/A
Pnom kW: Nominal heat output Pmin kW: Minimum heat output (indicative) Pmax,c kW: Maximum continuous heat output				eloff: In off mode elms: In standby mode elidle: In idle mode elnsb: In network standby				

8.1 Technical parameter


F2 and F3 are correction factors that represent a positive contribution to the seasonal energy efficiency for space heating. Seasonal space heating energy efficiency for electric wall-mounted heaters, with a nominal heating output lower than 250W, shall not be less than 34%.

Type of heat output/room temperature control (select one) Correction factor F2			Other control options (multiple selections possible) Correction factor F3		
Single stage heat output and no room temperature control			Room temperature control, with presence detection		
Two or more manual stages, no room temperature control			Room temperature control, with open window detection	yes	1
With mechanic thermostat room temperature control			With distance control option		
With electronic room temperature control	yes	3	With adaptive start control		
Electronic room temperature control plus day timer			With working time limitation		
Electronic room temperature control plus week timer			With black bulb sensor		

Energy efficiency for Beha Teddy heater: 34%

9.0 Waste management

This appliance is marked in accordance with EU Directive 2012/19/EU regarding the handling of electrical and electronic waste (Waste Electrical and Electronic Equipment-WEEE). Make sure that this product is disposed in the correct manner, so that it does not constitute a health or environmental risk.

The symbol  on the product or on the documents accompanying the product, indicates that this product may not be treated as household waste. Hand it over to an authorized reception for recycling of electrical and electronic equipment. Disposal must take place in accordance with the local waste disposal regulati-

ons. For further information, treatment, recovery, and recycling of this product, contact your local council, waste disposal service or the shop where you purchased it.

9.1 Recycling of packaging

Component	Material	Recycling
Packaging	PAP 20	Carboard and paper
Screw bag	PE	Plastic

