

BEHA SKO 300 T  
300 W - 230 V

INSTALLASJONS- OG BRUKERVEILEDNING  
INSTALLATION AND USER GUIDE

# BEHA



Contact information: Email: [info@scandinaviantrading.co.uk](mailto:info@scandinaviantrading.co.uk) Tel: 01932 645050  
Unit 2 Glen Court, Canada Road, Byfleet, KT14 7JL

**Content:**

1.0 Technical information	7
2.0 Safety information	7
3.0 Installation	9
4.0 How to use the shoe dryer	9
5.0 Cleaning, care, and maintenance	10
6.0 Waste management	10

Please read the user guide carefully before using the appliance and save it for later reference. This user guide is also available at [beha.no](http://beha.no).

**Congratulations on your new Beha SKO 300 T shoe dryer!**

You have purchased a modern, easy to use product approved by Nemko. Development of new products is a continuous process. We therefore reserve the right to change functions and for any printing errors. Get to know your new product and read the manual carefully. Pay particular attention to our notes and advice for safe use.

We hope you will be satisfied with your new shoe dryer.



## 1.0 Technical information

– Power supply voltage:	230V AC 50Hz
– Power consumption:	300W
– Cable with plug:	1,8m
– Net weight:	1,2kg
– Insulation class:	2 (double insulated)
– Dimensions (L x H x D):	23×23×10cm
– IP class:	IP X1

## 2.0 Safety information

When using any electrical appliance, basic precautions should always be followed to reduce the risk of fire and injuries.

1. Please read the entire user manual before using the appliance.
2. Before use, remove all packaging. The packaging and plastic that the shoe dryer is wrapped in should be kept away from children because it can harm them.
3. When the appliance is not in use and when cleaning it, turn the switch to OFF and remove the plug from the wall socket.
4. Ensure that the appliance is undamaged. In case of doubt do not use it.

### To avoid fire or personal injury, you should follow our safety rules

- The appliance is only for indoor use, for drying shoes that are wet with water.
- It must be mounted on the wall before use.
- The appliance must not be used outdoors.
- Always unplug the appliance if you are not present.
- The air intake on the appliance must not be blocked. Make sure that no foreign objects are placed in air gaps as this could cause an electrical fault, fire, or damaged the appliance.

**Warning!** The appliance gets hot during use and can cause burns. Avoid touching the app-

liance when it is in use and for a certain period after it has been switched off. Pay extra attention in the presence of people with reduced physical, sensory, or mental abilities, people with a lack of experience and knowledge, or children.

Children aged from 3 years and less than 8 years shall only switch on/off the appliance if it has been placed or installed in its intended normal operating position and they have been given supervision or instruction concerning use of the appliance in a safe way and understand the hazards involved. Children aged from 3 years and less than 8 years shall not plug in, regulate, and clean the appliance or perform user maintenance.



**Warning:**  
In order to avoid overheating the appliance must not be covered

This appliance can be used by children aged from 8 years and above and persons with reduced physical, sensory, or mental capabilities or lack of experience and knowledge if they have been given supervision or instruction concerning use of the appliance in a safe way and understand the hazards involved. Children shall not play with the appliance.



Cleaning and user maintenance shall not be made by children without supervision.

Children of less than 3 years should be kept away unless continuously supervised.

**Warning:** Do not use this appliance in small rooms when they are occupied by persons not capable of leaving the room on their own, unless constant supervision is provided.

The shoe dryer must not be used in rooms with children, animals or people with disabilities unless a responsible person is present.

Do not use the appliance in areas where there is dust, steam, gas, petrol, paint or where other flammable goods are stored (e.g. garage). Must not be used in explosive areas etc.

Do not use this appliance in the immediate surroundings of a bath, a shower, or a swimming pool.

The shoe dryer should only be used in dry rooms to avoid electric shock, short circuit and fire.

Do not use a programmer, timer, remote control system or other devices to switch the appliance ON and OFF automatically, as this will be a fire hazard if the appliance is covered or positioned incorrectly.

The appliance must not be located immediately below or above a wall socket.

The wall socket in which the appliance is connected should be visible and accessible in the same room.

Do not operate any appliance with a damaged cord or plug. The cable must not come into contact with hot surfaces of the appliance during operation.

Do not cover the cable with carpets. Do not step on the cable and unwind it completely before use.

Avoid using extension cord as the extension cord may overheat and cause a risk of fire.

When cleaning or relocating or when the appliance is not in use, it should be switched OFF and the cord unplugged. In that order. Do not remove the plug from the socket by pulling the cord. Remove the cord from the socket by gripping the plug and gently pull it out of the wall socket.

Do not cover the shoe dryer during use or shortly after it has been switched off as this may cause a fire.

The appliance should not be repaired, dismantled or modified by unauthorized personnel.

Do not use this appliance if it has been dropped or if there are visible signs of damage to it.

**Warning!** The appliance should be located away from furniture, curtains, or other flammable objects.

Do not immerse the appliance in water when cleaning.

Do not touch the appliance with wet hands.



### 3.0 Installation

#### 3.1 Electrical connection and use

Before connecting the appliance, please ensure that the voltage is 230V AC 50Hz. This appliance is well suited for drying shoes. The wall socket in which the appliance is connected should be visible and accessible in the same room. Avoid using extension cord as the extension cord may overheat and cause a risk of fire.

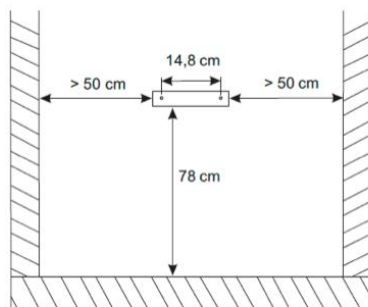
#### 3.2 Recommended distance

The appliance must be installed away from obstacles that are affected by heat, e.g. furniture, curtains, or other flammable / combustible objects.

- Distance to side walls: Min. 50 cm
- Distance from the front: Min. 90 cm

#### 3.3 Installation on wall

The shoe dryer is mounted so that the pipes are approx. 3 cm above the floor. The appliance is connected to the socket in the room in which it is used. The appliance must be fixed to the wall with 2 screws. Screw 2 screws into the wall 14.8 cm apart. The shoe dryer is fitted onto the screws and pushed to the right and down.



### 4.0 How to use the shoe dryer

The shoe dryer has 60cm long pipes. The air is drawn in the front on the dryer and goes through the heating element down in the pipes. Before use the appliance must be mounted to the wall. Always have the switch in OFF position when the appliance is not used. The plug is inserted into a wall socket in the same room as the shoe dryer. The pipes are placed in the shoes and the shoe dryer is switched on.

#### Use without timer:

The device can be used without a timer. The fan blows until the switch is set to position OFF.

#### Use with timer:

Turn the switch clockwise to the desired time. After the time has elapsed, the fan stops. Minimum time is 30 min. Maximum time 180 min.

When using the appliance a red light will be on.




## 5.0 Cleaning, care, and maintenance

1. Turn switch must be in OFF position. Unplug the power connection and let the shoe dryer cool down before cleaning.
2. Clean the outside with a damp cloth.
3. Never use abrasive cleaners or submerge the appliance in water or other liquid.

## 6.0 Waste management

This appliance is marked in accordance with EU Directive 2012/19/EU regarding the handling of electrical and electronic waste (Waste Electrical and Electronic Equipment-WEEE). Make sure that the appliance is disposed in the correct manner, so that it does not constitute a health or environmental risk.

The symbol  on the product or on the documents accompanying the product, indicates that this product may not be treated as household waste. Hand it over to an authorized reception for recycling of electrical and electronic equipment. Disposal must take place in accordance with the local waste disposal regulations. For further information, treatment, recovery, and recycling of this product, contact your local council, waste disposal service or the shop where you purchased it.

### 6.1 Recycling of packaging

Component	Material	Recycling
Packaging	Cardboard	Carboard and paper
Screw bag	Plastic	Plastic

