

BEHA TSH 80
80 W - 230 V

INSTALLASJONS- OG BRUKERVEILEDNING
INSTALLATION AND USER GUIDE

BEHA



Contact information: Email: info@scandinaviantrading.co.uk Tel: 01932 645050
Unit 2 Glen Court, Canada Road, Byfleet, KT14 7JL

CONTENT

1.0 Technical information	6
2.0 Safety information	7
3.0 Installation	8
4.0 Cleaning, care, and maintenance	9
5.0 Waste management	9

Please read the user guide carefully before using the appliance and save it for later reference. This user guide is also available at beha.no.

Congratulations on your new Beha TSH 80 drying

You have purchased a modern, easy to use product approved by Nemko. Development of new products is a continuous process. We therefore reserve the right to change functions and for any printing errors. Get to know your new product and read the manual carefully. Pay particular attention to our notes and advice for safe use.

We hope you will be satisfied with your new drying rack.

1.0 Technical information

- Power supply voltage: 220-240V ~ 50Hz
- Power consumption: 80W
- Cable with grounded plug: 1,5m
- Net weight: 1,7kg
- Insulation class: 1 (grounded)
- Dimensions (L x H x D): 90×6,5×27cm
- IP class: IP24

Beha TSH 80 is IP24 tested and approved for installation in bath- and utility rooms, according to current regulations.



2.0 Safety information

When using any electrical appliance, basic precautions should always be followed to reduce the risk of fire and injuries.

1. Please read the entire user manual before using the appliance.
2. Before use, remove all packaging.
3. When the appliance is not in use and when cleaning it, turn the switch to OFF and remove the plug from the wall socket.

To avoid fire or personal injury, you should follow our safety rules.

- This appliance is only for indoor use and for drying textiles / shoes that NOT contain flammable liquids
- It must be mounted on the wall before use
- The appliance must not be used outdoors.

Warning! The appliance will become hot during use and may cause burns. Pay extra attention in the presence of people with reduced physical, sensory, or mental abilities, people with a lack of experience and knowledge, or children.

Children aged from 3 years and less than 8 years shall only switch on/off the appliance if it has been placed or installed in its intended normal operating position and they have been given supervision or instruction concerning use of the appliance in a safe way and understand the hazards involved. Children aged from 3 years and less than 8 years shall not plug in, regulate, and clean the appliance or perform user maintenance.



Warning: In order to avoid overheating the appliance must not be wrapped in e.g. blankets, jackets.

This appliance can be used by children aged from 8 years and above and persons with reduced physical, sensory, or mental capabilities or lack of experience and knowledge if

they have been given supervision or instruction concerning use of the appliance in a safe way and understand the hazards involved. Children shall not play with the appliance.

Cleaning and user maintenance shall not be made by children without supervision.

Children of less than 3 years should be kept away unless continuously supervised.

Warning: Do not use this appliance in small rooms when they are occupied by persons not capable of leaving the room on their own, unless constant supervision is provided.

Do not use the appliance in areas where there is dust, steam, gas, petrol, paint or where other flammable goods are stored (e.g. garage). Must not be used in explosive areas etc.

Do not use this appliance in the immediate surroundings of a bath, a shower, or a swimming pool.

Do not use a programmer, timer, remote control system or other devices to switch the appliance ON and OFF automatically, as this will be a fire hazard if the appliance is covered or positioned incorrectly.

The appliance must not be located immediately below or above a wall socket.

The wall socket in which the appliance is connected should be visible and accessible.

Do not operate any appliance with a damaged cord or plug. The cable must not come into contact with hot surfaces of the appliance during operation.

Do not cover the cord with carpets. Do not step on the cable.

This appliance must be mounted on the wall horizontally.



When cleaning or relocating or when the appliance is not in use, it should be switched OFF and the cord unplugged. In that order. Do not remove the plug from the socket by pulling the cord. Remove the cord from the socket by gripping the plug and gently pull it out of the wall socket.

The appliance should not be repaired, dismantled or modified by unauthorized personnel.

Do not use this appliance if it has been dropped or if there are visible signs of damage to it.

When not in use turn OFF the switch on the appliance.

Warning! The appliance should be located away from furniture, curtains, or other flammable objects.

Warning! Avoid contact with the heating pipes when the appliance is in use, and for a certain period after it has been switched off, as it gets hot.

Do not immerse the appliance in water when

3.0 Installasjon

3.1 Electrical connection and use

Before connecting the appliance, please ensure that the voltage is 220-240V ~ 50Hz. This appliance is well suited for drying shoes, hats, scarves, gloves, and mittens.

3.2 Recommended distance

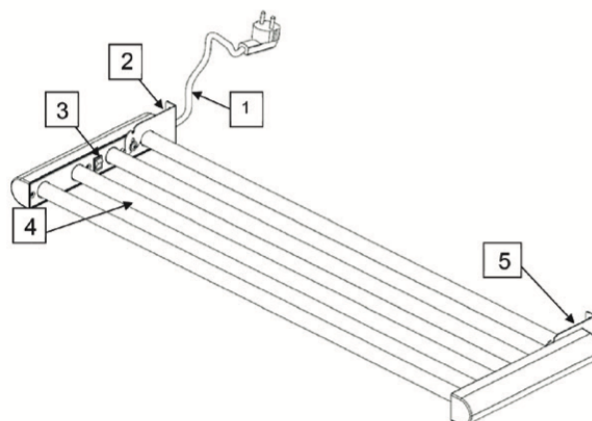
The appliance must be installed away from obstacles that are affected by heat, e.g. furniture, curtains, or other flammable / combustible objects.

- Distance to side walls: Min. 5 cm
- Recommended distance to floor: Min. 30 cm

The appliance should be connected to the socket in the room in which it is used. Do not use an extension cord, as this may cause a fire hazard.

3.3 Description of parts

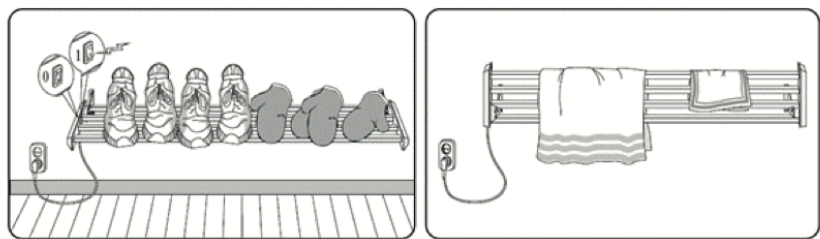
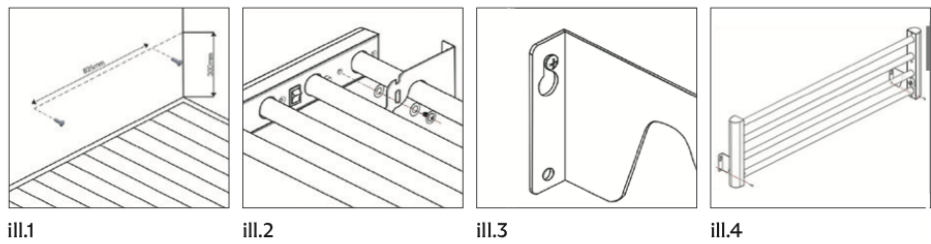
- 1 Cable with plug
- 2/5 Wall brackets
- 3 OFF / ON switch
- 4 Heating elements



3.4 Installation on wall

The appliance must be fixed to the wall with the wall brackets supplied.

1. Level up and screw in 2 screws 825 mm apart (ill. 1). Screw the screws almost all the way in.
2. Fix the two wall brackets to the drying rack (ill. 2).
3. Hang the drying rack on the wall on the two screws (ill. 3).
4. Insert a screw at the bottom of each wall bracket and tighten all four screws (ill. 4).




The drying rack can be tilted up when not in use.

4.0 Cleaning, care, and maintenance

1. Unplug the power connection and let the drying rack cool down before cleaning.
2. Clean the outside with a damp cloth.
3. Never use abrasive cleaners or submerge the appliance in water or other liquid.

5.0 Waste management

This appliance is marked in accordance with EU Directive 2012/19/EU regarding the handling of electrical and electronic waste (Waste Electrical and Electronic Equipment-WEEE). Make sure that the appliance is disposed in the correct manner, so that it does not constitute a health or environmental risk.

The symbol  on the product or on the documents accompanying the product, indicates that this product may not be treated as household waste. Hand it over to an authorized reception for recycling of electrical and electronic equipment. Disposal must take place in accordance with the local waste disposal regulations.

For further information, treatment, recovery, and recycling of this product, contact your local council, waste disposal service or the shop where you purchased it.

5.1 Recycling of packaging

Component	Material	Recycling
Packaging	Cardboard	Carboard and paper
Screw bag	Plastic	Plastic





Contact information: Email: info@scandinaviantrading.co.uk Tel: 01932 645050
Unit 2 Glen Court, Canada Road, Byfleet, KT14 7JL